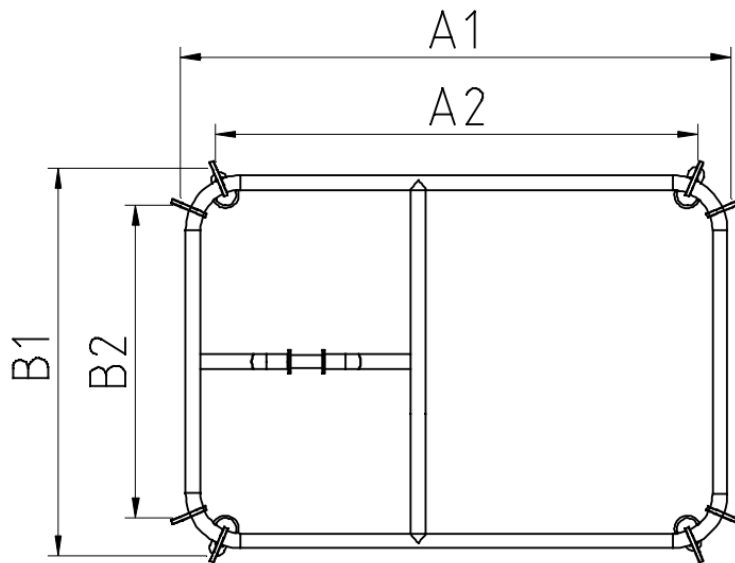


WE ARE
KUBICEK FACTORY

KUBICEK

Envelope	
Type:	
Size:	
S/N:	



Burner frame	
Manufacturer:	
Type:	
S/N:	
Dimension A1:	
Dimension A2:	
Dimension B1:	
Dimension B2:	

Date:

Customer signature: